

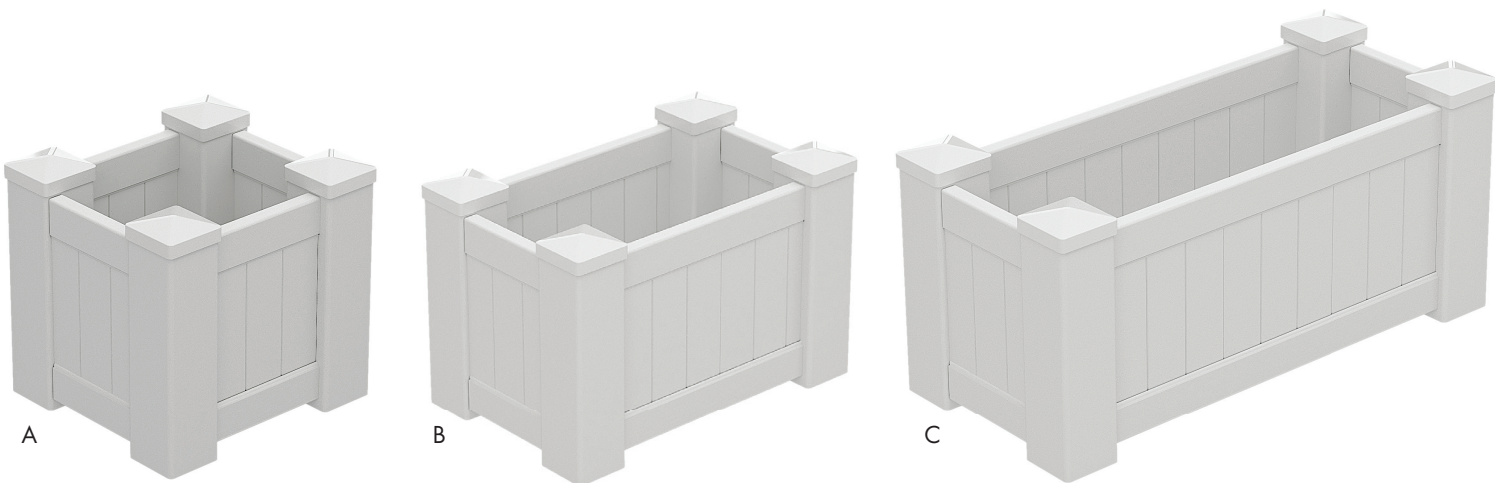
planter box

EASY ASSEMBLY | Planter boxes are flat packed in a box ready for quick and easy assembly. Reinforced bottom plate to hold weight of pot plants

NO PAINTING REQUIRED | The durable PVC finish will not rust or tarnish in an outdoor environment

UV STABLE PRODUCT | Formulation contains UV inhibitors and Titanium Dioxide additive which provide vital hardiness to withstand weathering and light damage

DURABLE CONSTRUCTION | Durable and long lasting outdoor material. Does not absorb moisture so will not blister, rot, or peel



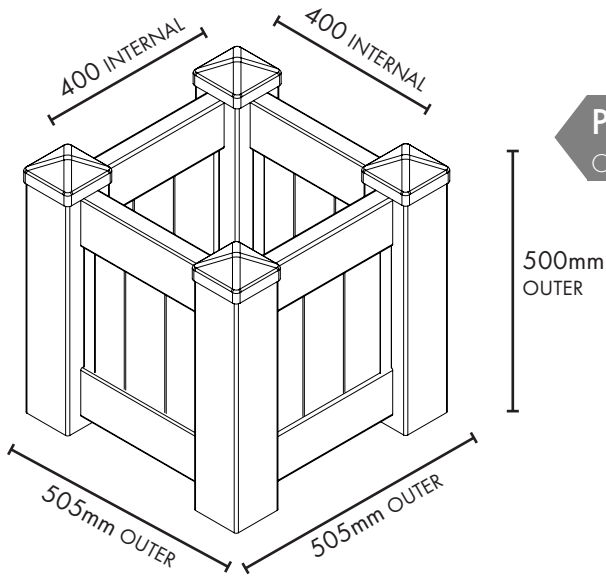
SPECIFICATIONS

A | Outer dimensions: 505mm W x 505mm L x 500mm H | Internal dimensions: 400mm W x 400mm L x 380mm H

B | Outer dimensions: 505mm W x 795mm L x 500mm H | Internal dimensions: 400mm W x 690mm L x 380mm H

C | Outer dimensions: 505mm W x 1085mm L x 500mm H | Internal dimensions: 400mm W x 980mm L x 380mm H

SPECIFICATIONS

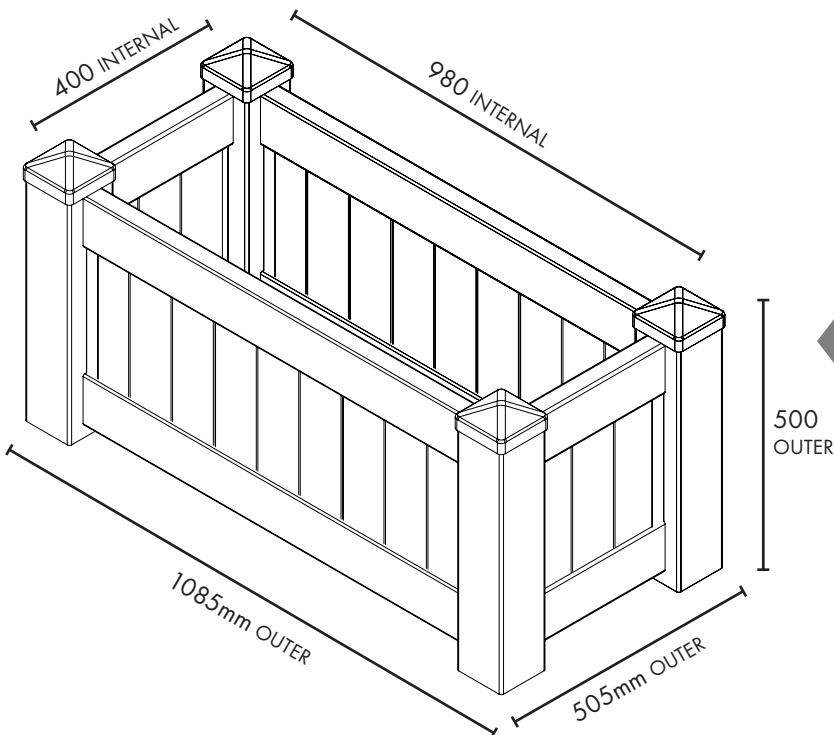
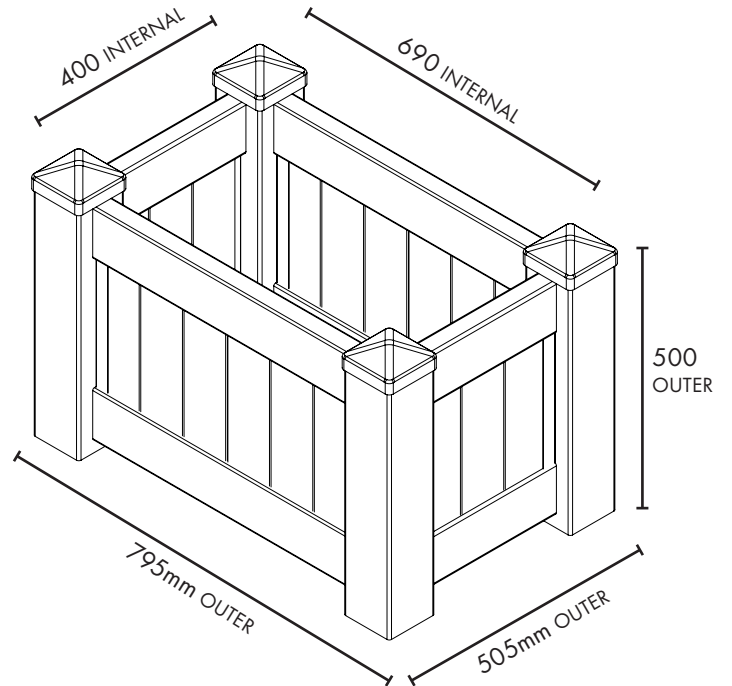


PLANTER BOX - SQUARE

CODE: HF-PLANTBOX-0505

PLANTER BOX - SMALL

CODE: HF-PLANTBOX-0795



PLANTER BOX - LARGE

CODE: HF-PLANTBOX-1085

MATERIAL

DURABLE PVC FINISH - UV STABLE