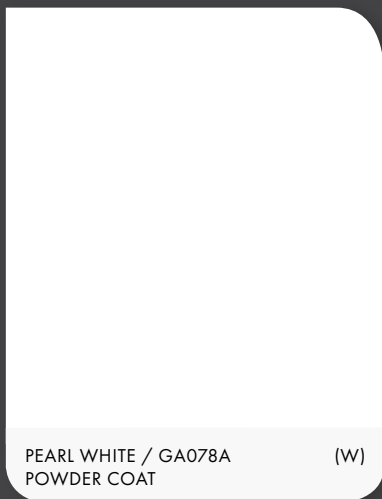




CURVA™
Aluminium
battens system



Note: Colours displayed are a guide only

INTRODUCING CURVA™

With the increasing design trend of arches in all aspects of interior and exterior design, Curva™ perfectly compliments and enhances this trend with its subtle curved profile.

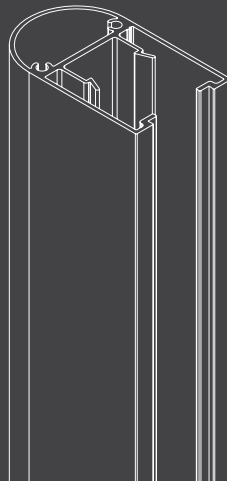
Available in either 65mm or 90mm long x 40mm wide, Curva™ is easily installed utilising a sturdy back clip onto which battens simply snap on. Curva™ can be installed in a diverse range of applications including directly onto walls, the underside of roofs, onto horizontal rails between posts and more. The design possibilities are endless with the Curva™ patented non-weld installation method.

Curva™ aluminium profiles are 6100mm long and can be easily cut down to required size. Additionally a 'cut to size' service is available in addition to long length supply. CNC aluminium top caps/end plates match the profile finishes to seamlessly complete the installation.

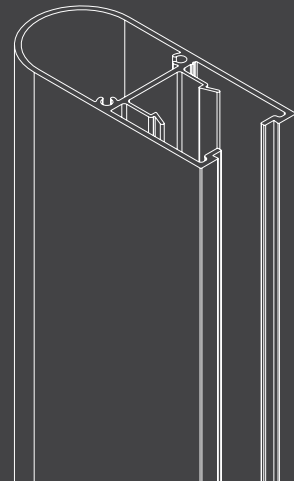
Curva™ is stocked in 3 finishes: D1000 Pearl White Gloss powder coat, Timber Imaged Alpine Ash and Mill Finish. **Pearl White** is a sought after finish complimenting modern design trends. **Alpine Ash** timber image is an ideal finish for interior and exterior design applications with its subtle straight grain and uniform texture. **Mill finish** aluminium can be powder coated to any finish as required.

Project orders can also be supplied by Glass Outlet in a large range of powder coat and timber image colours.

CURVA™ 65X40
BATTEN PROFILE



CURVA™ 90X40
BATTEN PROFILE



CURVA™ BATTENS

65x40 Profile Batten

Pearl White, Alpine Ash & Mill finish

6100MM LONG

Order Code:

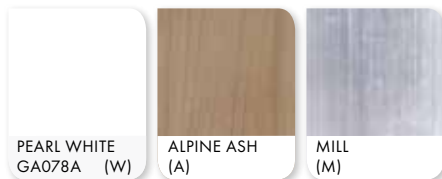
CURVA-6100-065x040-W (Pearl White)

CURVA-6100-065x040-A (Alpine Ash)

CURVA-6100-065x040-M (Mill)

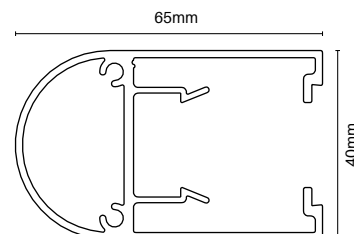


Finishes



TECH SPECS

- AP 386 / PP 258
- Alloy 6060-T5
- lxx = 95.84 x 10E3 mmE4
- lyy = 143.09 x 10E3 mmE4
- 2 x Ø 3.7mm screw flutes
- R20 radius profile
- Mates with XBAT-6100-CLIP



90x40 Profile Batten

Pearl White, Alpine Ash & Mill finish

6100MM LONG

Order Code:

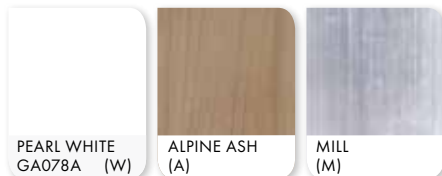
CURVA-6100-090x040-W (Pearl White)

CURVA-6100-090x040-A (Alpine Ash)

CURVA-6100-090x040-M (Mill)

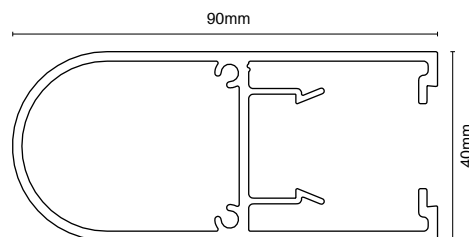


Finishes



TECH SPECS

- AP 432 / PP 288
- Alloy 6060-T5
- lxx = 150.22 x 10E3 mmE4
- lyy = 398.59 x 10E3 mmE4
- 2 x Ø 3.7mm screw flutes
- R20 radius profile
- Mates with XBAT-6100-CLIP



30mm x 25mm clip

Pearl White, Alpine Ash & Mill finish

6100MM LONG

Order Code:

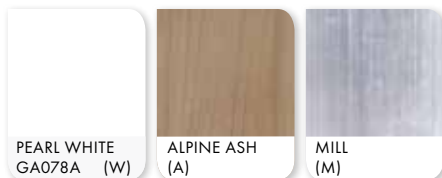
XBAT-6100-CLIP-W (Pearl White)

XBAT-6100-CLIP-A (Alpine Ash)

XBAT-6100-CLIP-M (Mill)

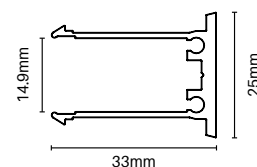


Finishes



TECH SPECS

- PP 120 / AP 190
- Alloy 6060-T5
- lxx = 8.25 x 10E3 mmE4
- lyy = 16.67 x 10E3 mmE4
- 2x Ø3.05mm screw flutes



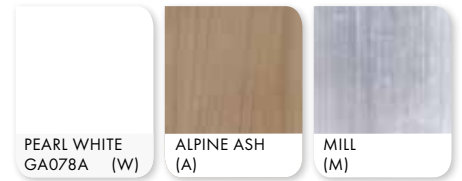
BATTEN TOP CAPS & END PLATES

Top caps and end plates are made from solid aluminium extrusion and are CNC processed to fit seamlessly onto the end of Curva™ batten profiles.

Top caps are 4mm thick and feature specially machined pins which press into screw flutes in the extrusion profiles. It is recommended to apply a dab of silicone to pins prior to insertion.

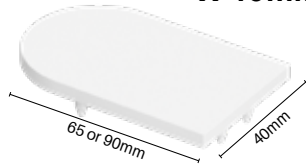
Bottom/end plates are 4mm thick and have countersunk holes strategically positioned so the plate may be mechanically fixed to the batten clip to provide a solid base for the batten front profile.

Finishes



PEARL WHITE

65 or 90mm
x 40mm



End cap

Order Code: CURVA-ECA-065X040-W
CURVA-ECA-090X040-W



End plate

Order Code: CURVA-EPA-065X040-W
CURVA-EPA-090X040-W

ALPINE ASH

65 or 90mm
x 40mm



End cap

Order Code: CURVA-ECA-065X040-A
CURVA-ECA-090X040-A

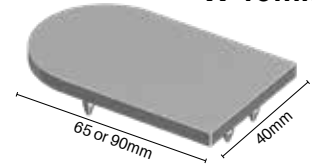


End plate

Order Code: CURVA-EPA-065X040-A
CURVA-EPA-090X040-A

MILL FINISH

65 or 90mm
x 40mm



End cap

Order Code: CURVA-ECA-065X040-M
CURVA-ECA-090X040-M



End plate

Order Code: CURVA-EPA-065X040-M
CURVA-EPA-090X040-M

CURVA™

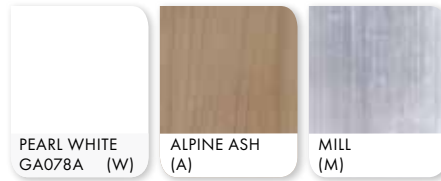


45mm x 45mm rail

Pearl White, Alpine Ash & Mill finish
6100MM LONG

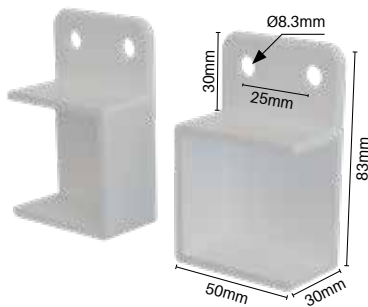
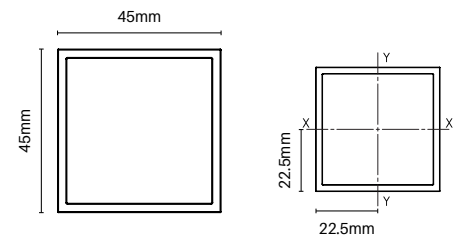
Order Code:
XBAT-6100-RAIL-W (Pearl White)
XBAT-6100-RAIL-A (Alpine Ash)
XBAT-6100-RAIL-M (Mill)

Finishes



TECH SPECS

- PP 180 / AP 180
- Alloy 6060-T5
- lxx = 128.37 x 10E3 mmE4
- lyy = 128.37 x 10E3 mmE4
- 2.5mm wall thickness
- Use as horizontal rails to support Curva™ batten



Aluminium horizontal bracket

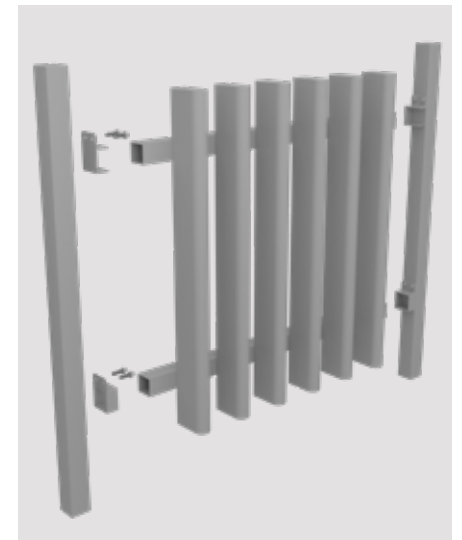
Pearl White, Paperbark & Mill finish
Pack of 2 – includes 8x tek screws
OPEN SIDE

Order Code:
XBAT-BH20-W (Pearl White)
XBAT-BH20-PB (Paperbark)
XBAT-BH20-M (Mill)

Finishes



- Aluminium die cast 383
- Brackets fit to inner face of post or wall
- Suits 45x45mm horizontal rail
- 3 sided opening – brackets can be pre-installed then install rail into bracket opening
- Ideal solution when batten finishes close to end of rail – side of bracket does not conflict with batten at open side
- **Paperbark powdercoat finish used with Alpine Ash



End plate CSK screws

Pack of 10
SS304 – ST3.5x25mm

Order Code: XBAT-EP-SCREW-10PK

- Use for screwing end plates to bottom of Curva™ batten clip
- Hex head – flush finish with countersunk end plates



Self drilling rail screws

Pack of 100
Zinc plated – 10Gx22mm

Order Code: XBAT-RAILSCREW-100PK

- Self drilling wafer head screws
- Ideal for screwing batten clip to horizontal rails where battens used for fencing application



M10 barrel fixing & rectangular washer

Pack of 10

SS304 – Suits M10 thread

Order Code: XBAT-FIXNUT-10PK

- 20mm L x Ø13mm outer hex drive nut with 30mm x 13mm rectangular washer
- Specially designed to fit inside 30x25mm clip for concrete fixing with threaded rod or timber fixing lag screw



ECO FRIENDLY

Battens have commonly been made from harvested timber which must be repeatedly painted. Curva™ battens are made from aluminium – the most abundant metal in the Earth's crust and third most abundant element (after oxygen and silicon). There are no ongoing painting issues with Curva™ aluminium battens.



FIRE RETARDANT

Aluminium is described as non-combustible. When aluminium is exposed to a prolonged fire environment it will begin to melt (not burn) with a melting point between 600 and 660 degrees celsius. Aluminium battens are an excellent choice where fire risk requires consideration.



WEATHER & INSECT PROOF

Aluminium is impervious to insects and termites plus the non-porous surface is naturally resistant to fungi, mould and mildew. It is also unaffected by exposure to sunlight and water making it ideal for batten/screening solutions.



LIGHT WEIGHT

Aluminium weighs approximately one third of a piece of steel that is the same size and shape. Curva™ battens are made by extruding aluminium which allows for optimisation of shape to maximise strength and reduce weight.



COLOUR STABILITY

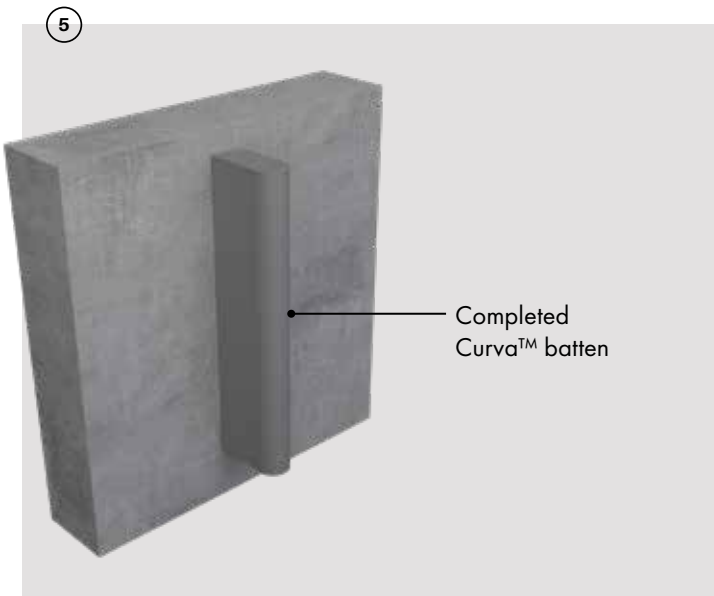
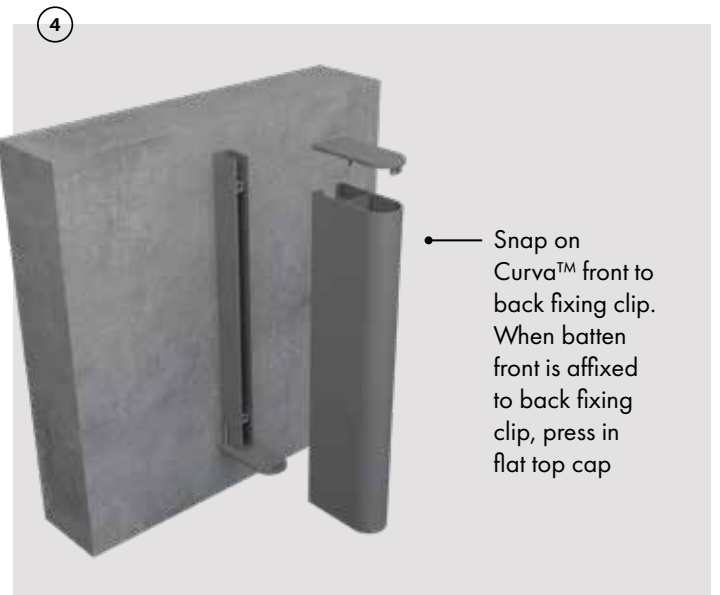
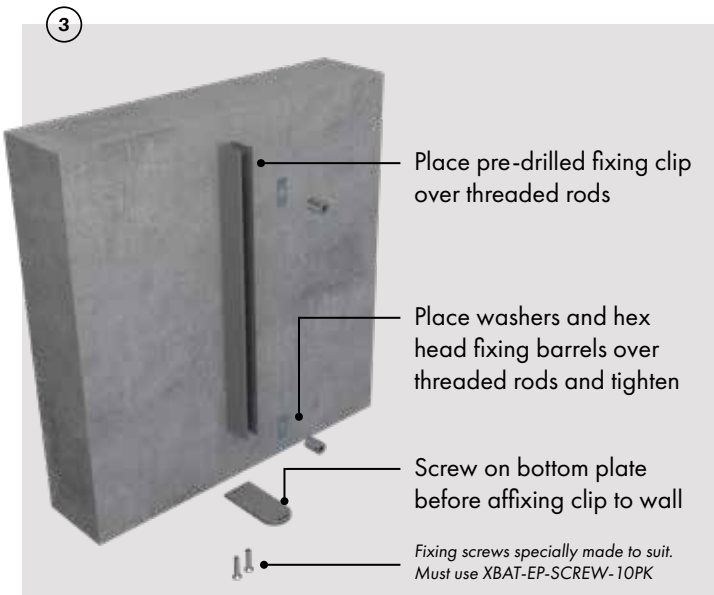
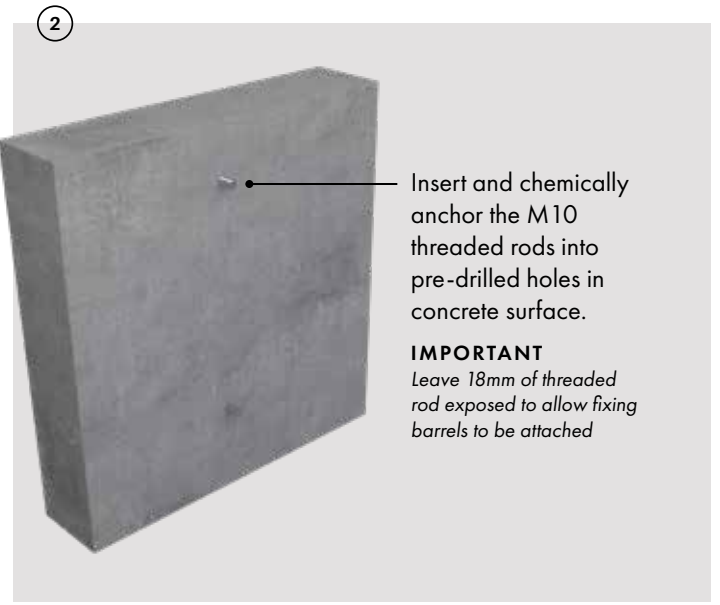
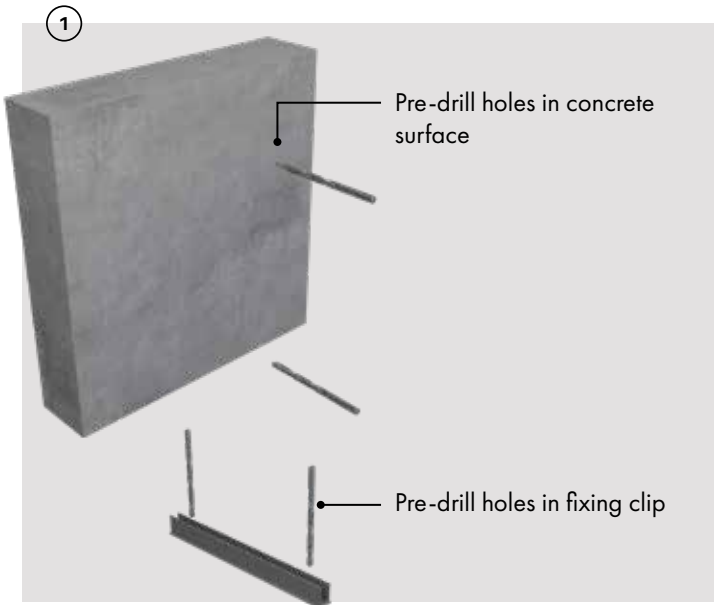
Powder coating aluminium provides outstanding long term colour fastness and stability. Curva™ battens are powder coated in Australia with genuine Interpon powder for industry leading quality. Imaged aluminium to provide the timber finish effect is also undertaken in Australia.



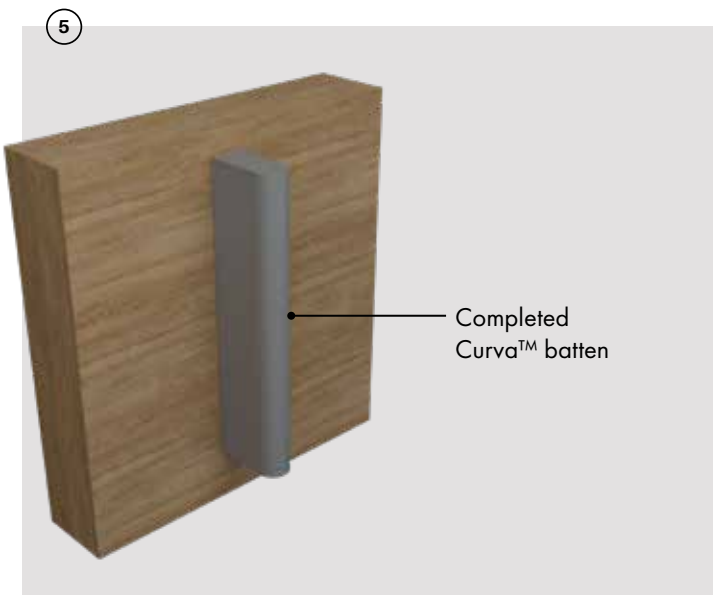
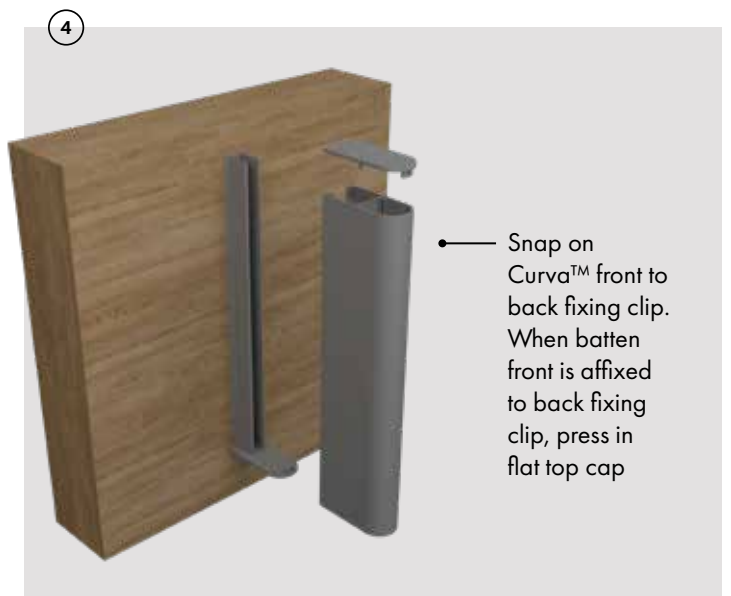
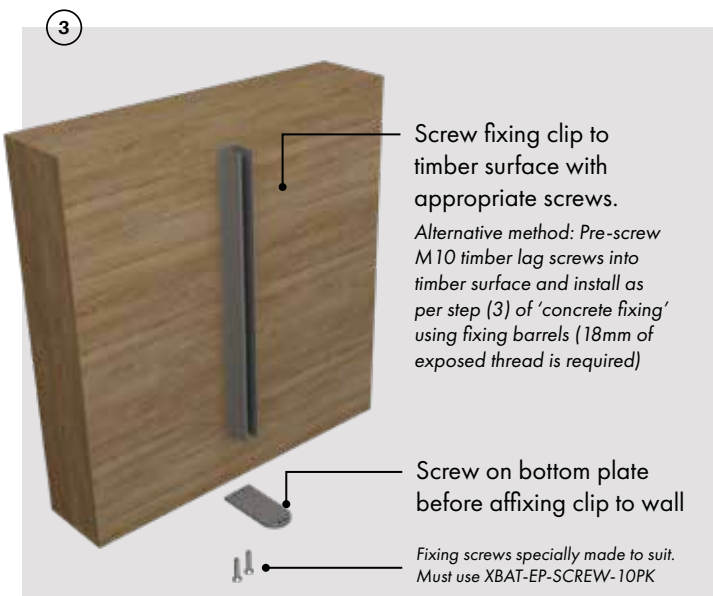
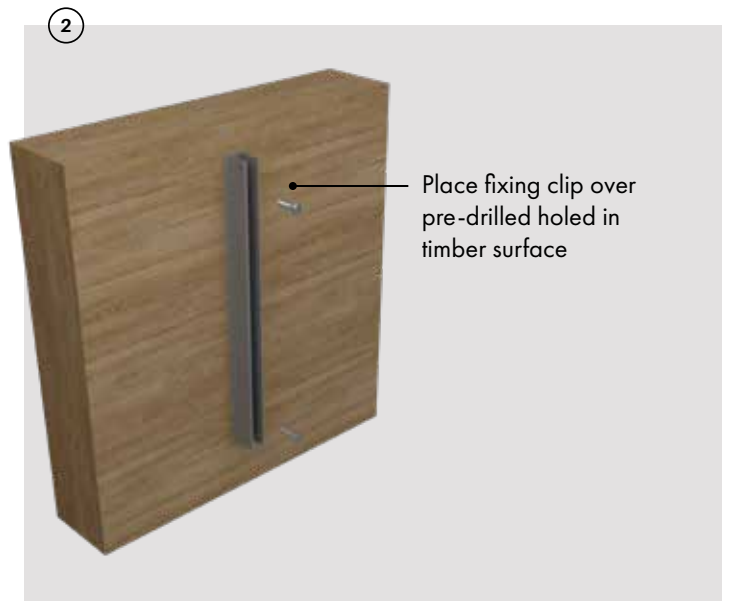
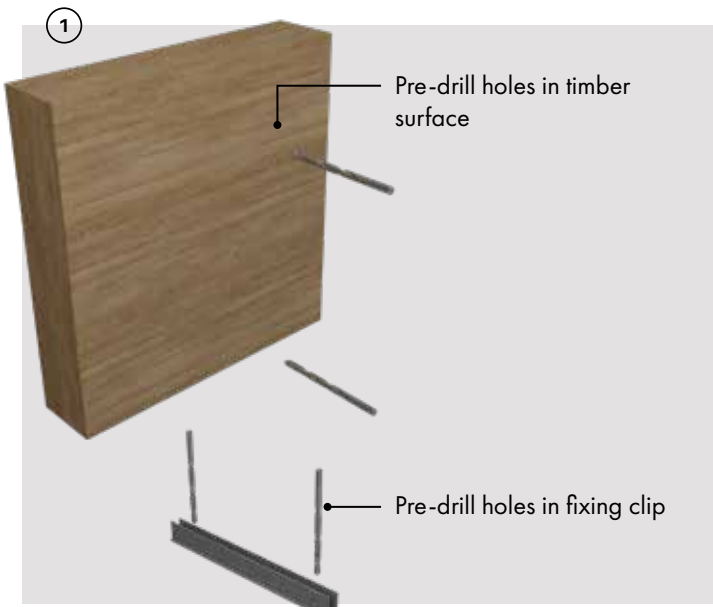
RUST PROOF

Aluminium does not rust. With a powder coated or imaged finish, Curva™ battens may be enjoyed for the long term with minimal maintenance and no worry of rusting.

CONCRETE INSTALLATION



TIMBER INSTALLATION



Advantages of Glass Outlet



Wholesale & trade only supplier

Our focus is providing complete solutions to the trade only. This clear focus allows us to provide the best customer service & quality products to the trade.



High quality products

We pride ourselves on attention to detail in all aspects of sourcing and supplying products. We look domestically and worldwide for factories with the skills and equipment capable of manufacturing the highest quality product at a competitive price. Our quality control team regularly visit our factories to ensure our high standards are always being met.



Lowest price guarantee

Having regard to the costs of sophisticated sourcing, quality control management, operating distribution facilities & providing the best customer service, we pass on the lowest prices possible. We believe that complimentary business can only be achieved when we operate under this discipline.



One stop shop

To save you time, we aim to provide complete systems at one purchase destination with the best price. Being a one stop shop also enables us to control the quality of the whole system. We consistently update catalogues and online capabilities to improve customer experiences.



Delivery to your door

With multiple distribution centres across the country with products in stock & dedicated delivery trucks, we aim to provide fast delivery every time. As well as utilising our own trucks, we've developed strong relationships with key transport providers across Australia so we can deliver even when the job is not so close to home.



Easy installation

We design products with installation considerations in mind to ensure they are as easy to install as possible to save you time on site. Many products offered have handy installation advantages built in.



Due to space restrictions, not all stock featured in this catalogue is stocked at all depots.

We recommend touching base with your closest depot prior to order placement if unsure.

OUR DEPOTS

Queensland

BRISBANE

☎ **07 3267 7968**

📄 **07 3267 8199**

✉ salesbris@glassoutlet.com.au

📍 Building 9, 153 St Vincents Rd
Virginia, QLD 4014

Office opening hours:

Mon-Fri: 7am-3:30pm

Warehouse opening hours:

Mon-Fri: 7am-3pm

GOLD COAST

☎ **07 5594 0343**

📄 **07 5594 0157**

✉ salesgc@glassoutlet.com.au

📍 28 Barnett Place
Molendinar, QLD 4214

Office & warehouse opening hours:

Mon-Fri: 7am-3pm

YATALA

☎ **07 3445 4004**

📄 **07 5594 0157**

✉ sales@aluminiumoutlet.com.au

📍 4 Binary Street
Yatala, QLD 4207

Office & warehouse opening hours:

Mon-Fri: 7am-3pm

South Australia

ADELAIDE

☎ **08 8359 4048**

📄 **08 8162 5537**

✉ salesad@glassoutlet.com.au

📍 490 Churchill Rd
Kilburn, SA 5084

Office & warehouse opening hours:

Mon-Fri: 7:30am-3:30pm

Western Australia

PERTH

☎ **08 6499 2868**

📄 **08 9384 7711**

✉ saleswa@glassoutlet.com.au

📍 10A Marriott Rd
Jandakot, WA 6164

Office & warehouse opening hours:

Mon-Fri: 7:30am-3:30pm

New South Wales

NEWCASTLE

☎ **02 4069 0833**

📄 **02 4006 3040**

✉ salesnc@glassoutlet.com.au

📍 9B Pennant Street
Cardiff, NSW 2285

Office & warehouse opening hours:

Mon-Fri: 7:30am-3:30pm

Victoria

MELBOURNE WEST

☎ **03 9363 7744**

📄 **03 9363 4755**

✉ salesder@glassoutlet.com.au

📍 1/139 Studley Crt
Derrimut, VIC 3026

Office & warehouse opening hours:

Mon-Fri: 7:30am-3:30pm

MELBOURNE SOUTH EAST

☎ **03 9706 9886**

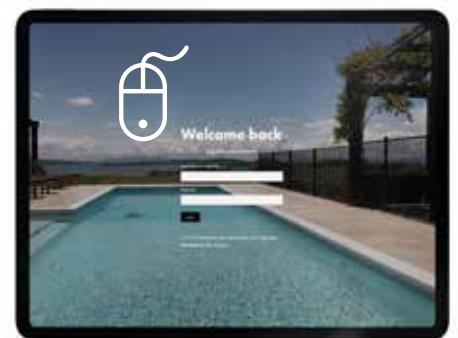
📄 **03 9706 7514**

✉ salesdan@glassoutlet.com.au

📍 15 Stephen Rd
Dandenong South, VIC 3175

Office & warehouse opening hours:

Mon-Fri: 7:30am-3:30pm



LOVE TO SEE
YOU AT OUR
ONLINE STORE

<https://glassoutletonline.com.au>



Errors and omissions excepted. Measurements and drawings are provided as a guide only and should not be relied upon solely for installation purposes.

Product codes, products and prices may change at Glass Outlet's discretion as systems are constantly reviewed and updated.

Please contact Glass Outlet if you require clarification of product codes, pricing or product stocking.

Due to each installation situation being different, it is the installer's responsibility to seek engineering compliance and/or certification should it be required as part of a project, regulatory or statutory requirement.

As each installation site is different, it is the installer's responsibility to consider the impact of wind loads on the design of a fence.

Please consult your engineer for site specific matters relating to wind loads.

Colours displayed in PDF's or printed documents are indicative only and should not be relied on as a true representation of actual powder coat colour. All products should adhere to a suitable care and maintenance schedule.

©Copyright 2022. This catalogue is the copyright of Glass Outlet and cannot be reproduced, copied or replicated without the prior written consent of Glass Outlet. Such consent applies to images as well as text.

Glass Outlet Curva™ Aluminium Battens System V1