



# planter box

**EASY ASSEMBLY** | Plant boxes are flat packed in a box ready for quick and easy assembly. Reinforced bottom plate to hold weight of pot plants

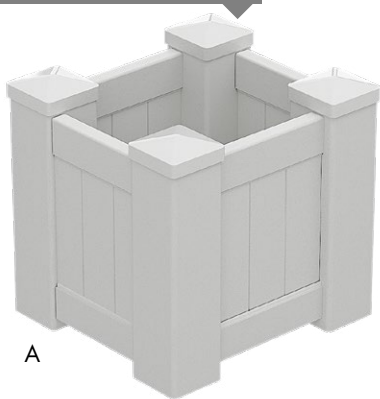
**NO PAINTING REQUIRED** | The durable PVC finish will not rust or tarnish in an outdoor environment

**UV STABLE PRODUCT** | Formulation contains UV inhibitors and Titanium Dioxide additive which provide vital hardiness to withstand weathering and light damage

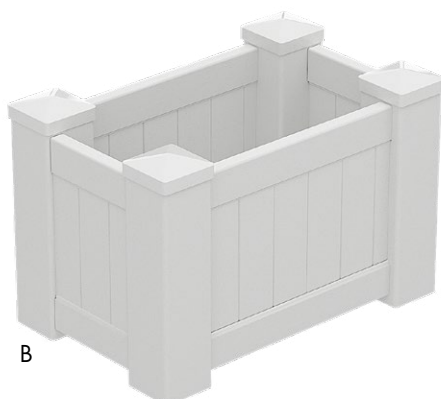
**DURABLE CONSTRUCTION** | Durable and long lasting outdoor material. Does not absorb moisture so will not blister, rot, or peel



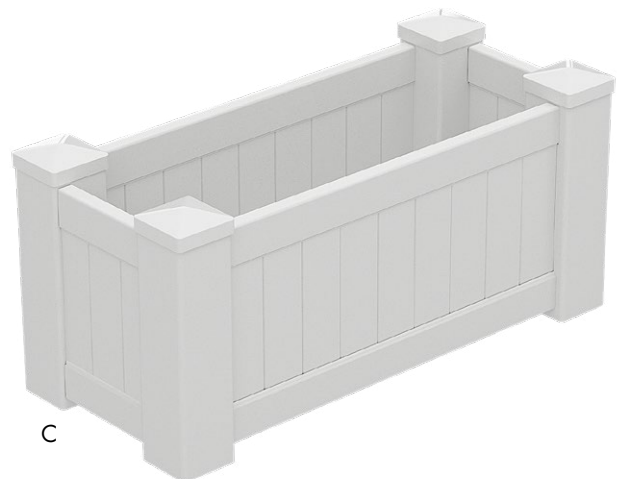
ARRIVING SEPTEMBER 2020



A



B



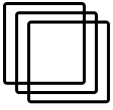
C

## SPECIFICATIONS

A | Outer dimensions: 505mm W x 505mm L x 500mm H | Internal dimensions: 400mm W x 400mm L x 380mm H

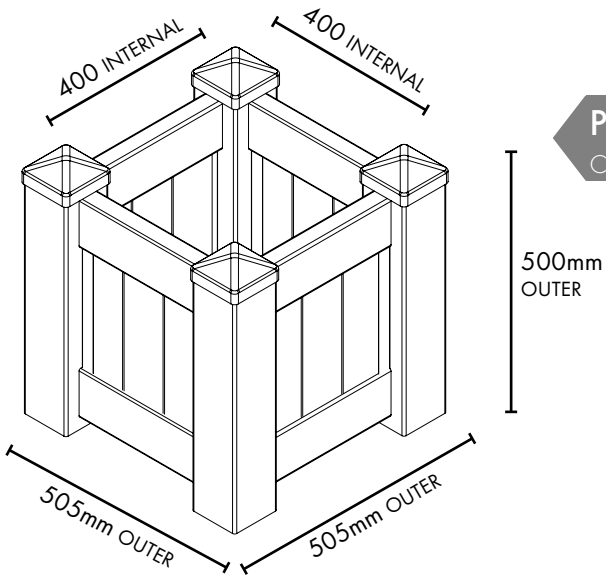
B | Outer dimensions: 505mm W x 795mm L x 500mm H | Internal dimensions: 400mm W x 690mm L x 380mm H

C | Outer dimensions: 505mm W x 1085mm L x 500mm H | Internal dimensions: 400mm W x 980mm L x 380mm H



# PLANTER BOX

## SPECIFICATIONS

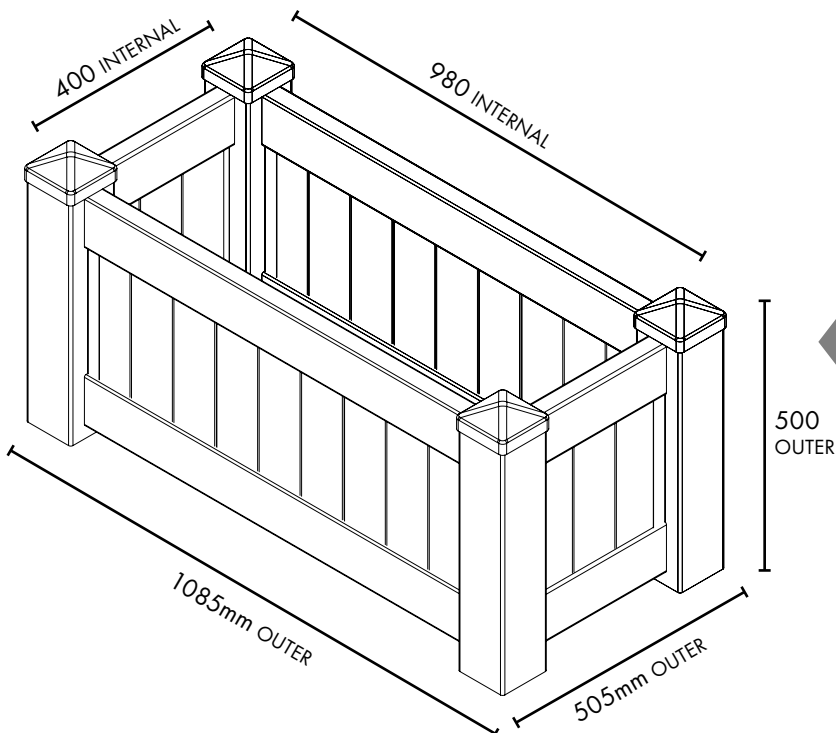
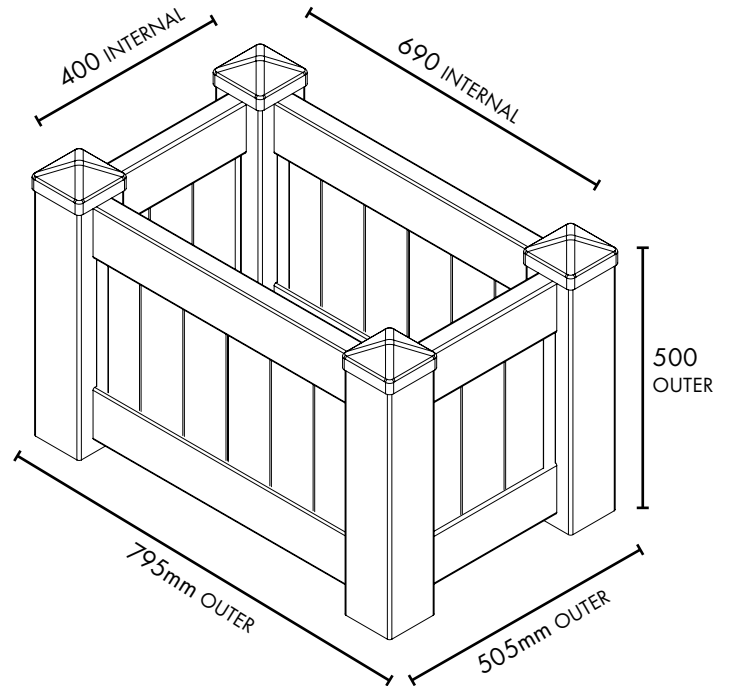


### PLANTER BOX - SQUARE

CODE: HF-PLANTBOX-0505

### PLANTER BOX - SMALL

CODE: HF-PLANTBOX-0795



### PLANTER BOX - LARGE

CODE: HF-PLANTBOX-1085

## MATERIAL

DURABLE PVC FINISH - UV STABLE