

INTRODUCING THE ICON BRACKET [SS316] –
Architecturally inspired hardware with innovative features. Ideal for wall fixing, straight runs or staircases.

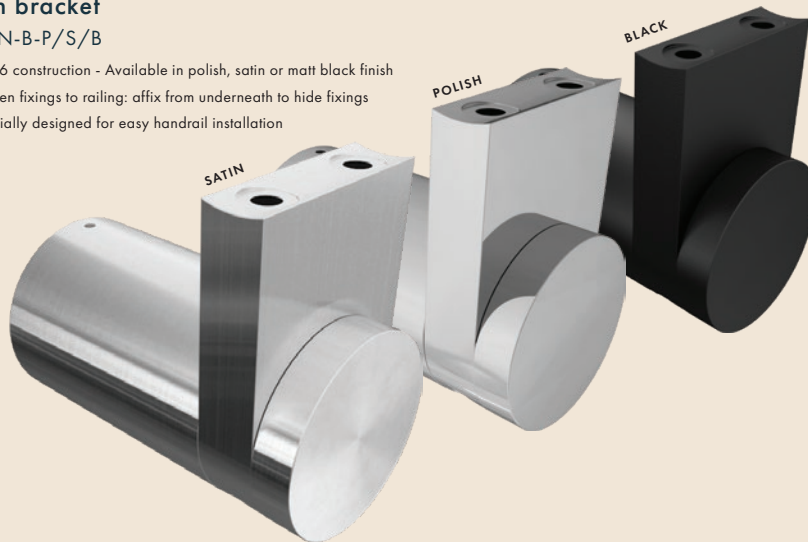


- 1 10mm finishing end cap. Simply screws onto threaded head of fixing screw
- 2 Vertical rail connector - can swivel to any angle. Suits 50.8mm round rail and includes an insert for flat rails
- 3 Rail fixings installed from underside flutes allowing all fixings to be hidden
- 4 Specially machined hex drive M12 screw secures vertical rail connector to body
- 5 Ø50mm x 65mm long body
- 6 80mm long SS304 hex drive lag screw. 30mm M12 thread with 50mm lag screw

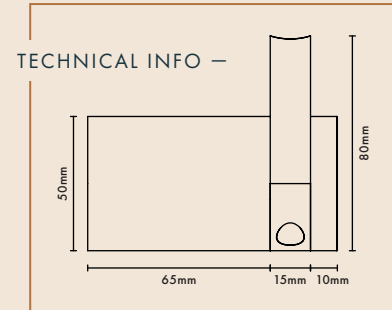
THE ICON RANGE –

Icon bracket
 ICON-B-P/S/B

- › SS316 construction - Available in polish, satin or matt black finish
- › Hidden fixings to railing: affix from underneath to hide fixings
- › Specially designed for easy handrail installation



TECHNICAL INFO –



Glass adapter kit
 ICON-GA-P/S/B/W

- › Use as a stylish rail connector with glass panels (optional extra)
- › Includes 1x 50mm cap, 1x M12x55mm threaded rod, 2x plastic washers and 1x plastic bush
- › Ø16mm hole required in glass



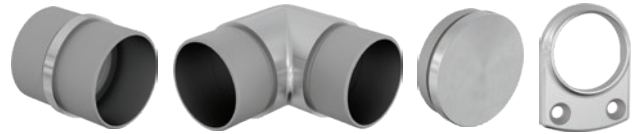
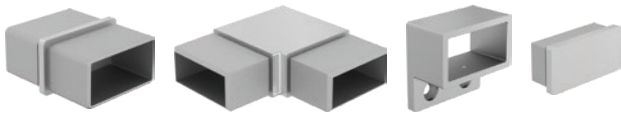
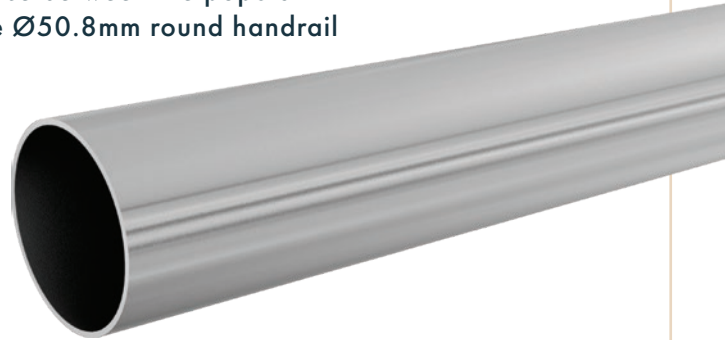
10 PACK

Nutsert & screw kit - 10 pack
 ICON-SCREW-10PK

- › Includes 10x blind rivet nut right hand M6 & 10x M6x25mm screws
- › Used for affixing metal handrail to Icon bracket. Blind rivet nut is installed into box section handrail. Screws fix into Icon bracket flutes for hidden fixing

MATCHING STAINLESS STEEL HANDRAIL OPTIONS –

Use your own timber handrail or choose between the popular 50x25mm rectangular handrail or the Ø50.8mm round handrail



50x25mm handrail range

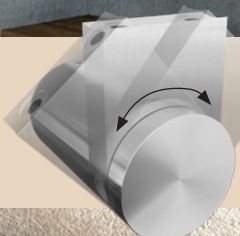
SATIN, POLISH OR MATT BLACK
FULL RANGE OF FITTINGS ALSO AVAILABLE

Ø50.8mm handrail range

SATIN, POLISH OR MATT BLACK
FULL RANGE OF FITTINGS ALSO AVAILABLE

INSTALLATION OPTIONS –

The ICON bracket can be installed directly onto walls or onto glass panels (using the adapter kit). The swivel function makes the ICON bracket perfect for stairway installations.



The ICON bracket can swivel to any angle - perfect for stairway installations.